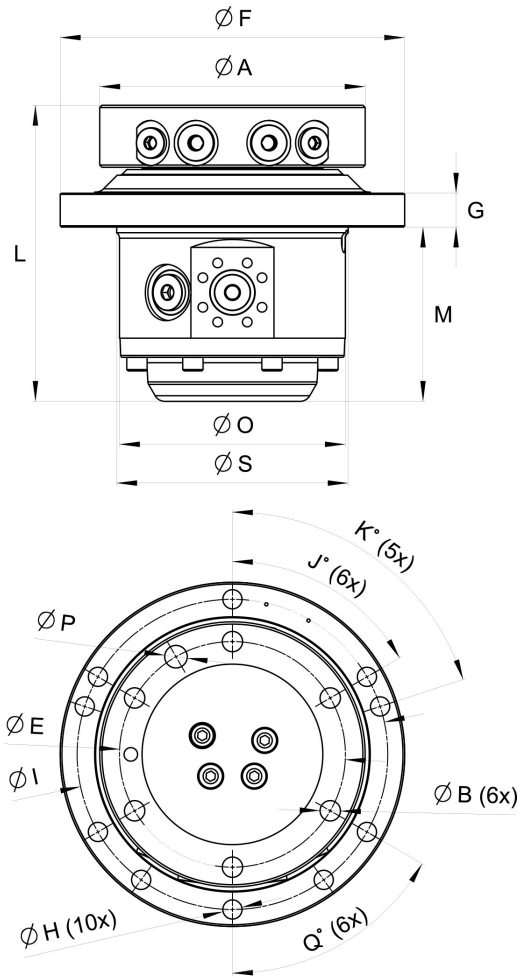
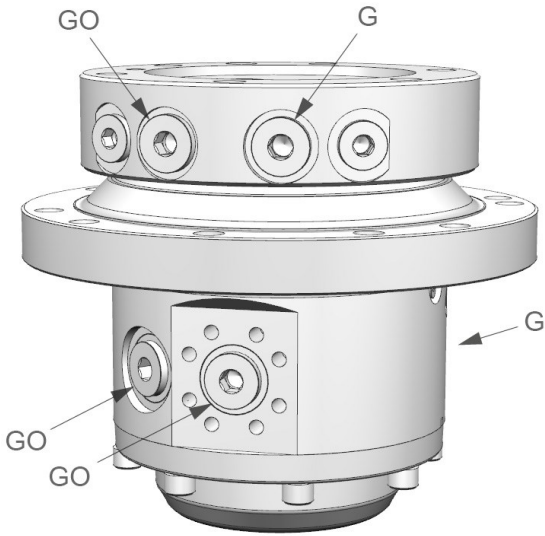


# IR 10M M20

Part No.: 8000308



Upper		Lower		
G G0: G 3/4	R: G 1/2	G: SAE 3000 DN 25 / G 3/4	G0: SAE 3000 DN 25 / G 3/4	G0: G 3/4

A: Ø235 mm	B: M20	E: Ø200 mm	F: Ø305 mm	G: 30 mm	H: Ø17 mm	I: Ø275 mm	J: 60°	K: 72°	L: 263 mm	M: 155 mm	O: Ø200 mm	P: Ø20 mm	Q: 60°
S: Ø205 mm													

 63.2 kg	 360°	 ±250 kN	 ±70 kN	 35 MPa	 35 MPa
		Max	Max	Max	Max

Mechanical rotator without motor.

For further technical information relating to integration and hydraulic connections, please contact [rotator@indexator.com](mailto:rotator@indexator.com)