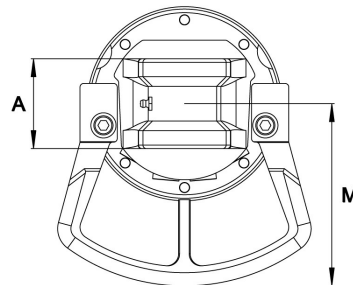
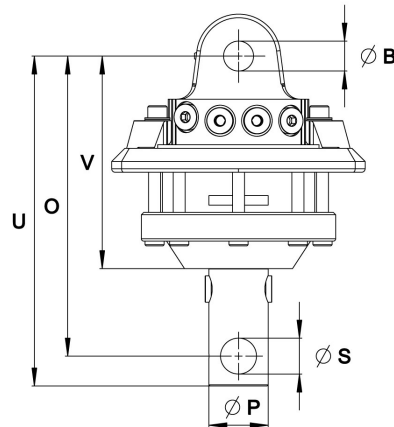
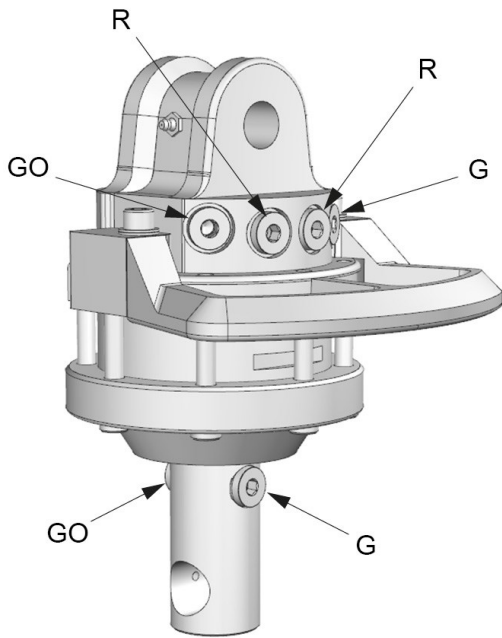


GV 3 -49,5/30

Part No.: 5002330



Upper connection	Lower connection
G 3/8	G 3/8

A: 75 mm	B: Ø25 mm	M: 152 mm	O: 251 mm	P: Ø49,5 mm	S: Ø30 mm	U: 278 mm	V: 178 mm
-------------	--------------	--------------	--------------	----------------	--------------	--------------	--------------

		Max	Max		Max	Max	Max	Max
17.3 kg	360°			950 Nm				
		30 kN ¹	12.5 kN		10 l/min	25 MPa	20 MPa ²	30 MPa

¹ 40 kN when mounted to a piece goods crane.

² 25 MPa when mounted to a piece goods crane.

Adapter sets are available for alternative connections.

For further technical information relating to integration and hydraulic connections, please contact rotator@indexator.com