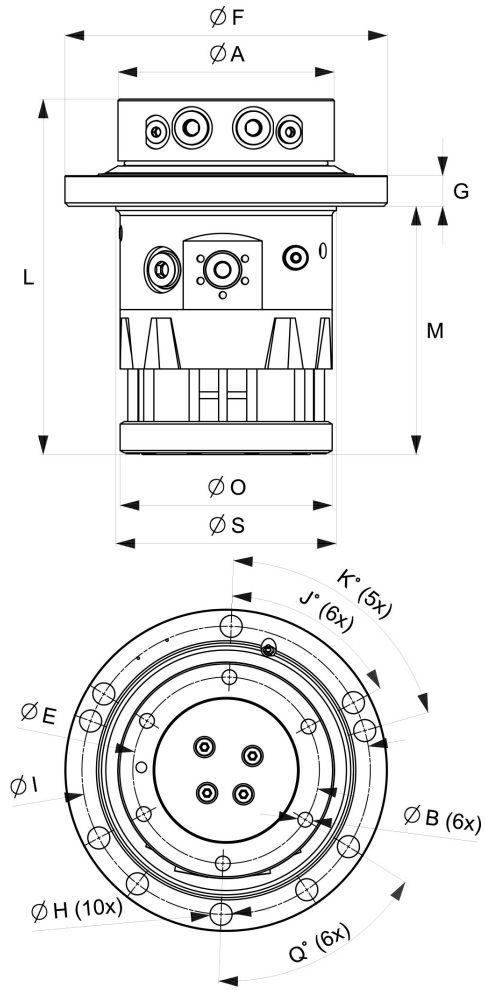
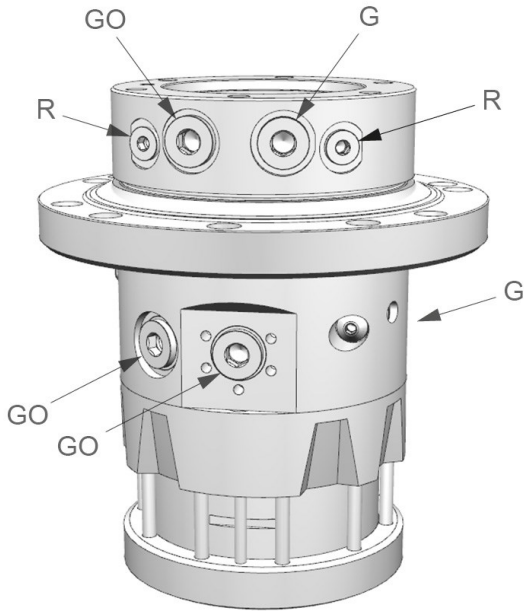











IR 20 HPL M20

Part No.: 8000757



Upper		Lower		
G GO: G 1	R: G 1/2	G: SAE 3000 DN 25 / G 1	GO: SAE 3000 DN 25 / G 1	GO: G 1

A: Ø255 mm	B: M20	E: Ø220 mm	F: Ø380 mm	G: 36 mm	H: Ø26 mm	I: Ø340 mm	J: 60°	K: 72°	L: 420 mm	M: 293 mm	O: Ø250 mm	Q: 60°	S: Ø260 mm
---------------	-----------	---------------	---------------	-------------	--------------	---------------	-----------	-----------	--------------	--------------	---------------	-----------	---------------

								
146 kg	360°	Max ±450 kN	Max ±150 kN	4100 Nm	Max 35 l/min	Max 25 MPa	Max 28 MPa	Max 28 MPa

Pressure limiting valves fitted.

For further technical information relating to integration and hydraulic connections, please contact rotator@indexator.com