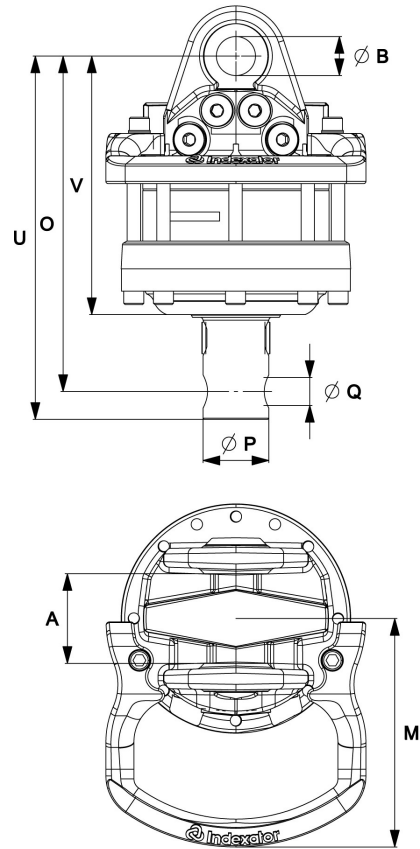
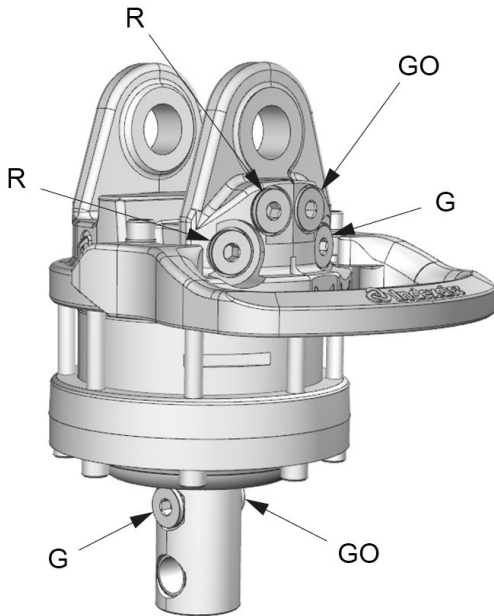










GV 6 -59/25 P

Part No.: 5006251



Upper connection	Lower connection
G 1/2	G 1/2

A: 80,5 mm	B: Ø35 mm	M: 205 mm	O: 301 mm	P: Ø59 mm	Q: Ø25 mm	U: 326 mm	V: 232 mm
---------------	--------------	--------------	--------------	--------------	--------------	--------------	--------------

		Max 	Max 		Max 	Max 	Max 	
37.8 kg	360°	60 kN	25 kN	1400 Nm	25 l/min	20 MPa	20 MPa	30 MPa

Rotator where the connections and tap hole through the shaft are parallel.

Adapter sets are available for alternative connections.

For further technical information relating to integration and hydraulic connections, please contact rotator@indexator.com