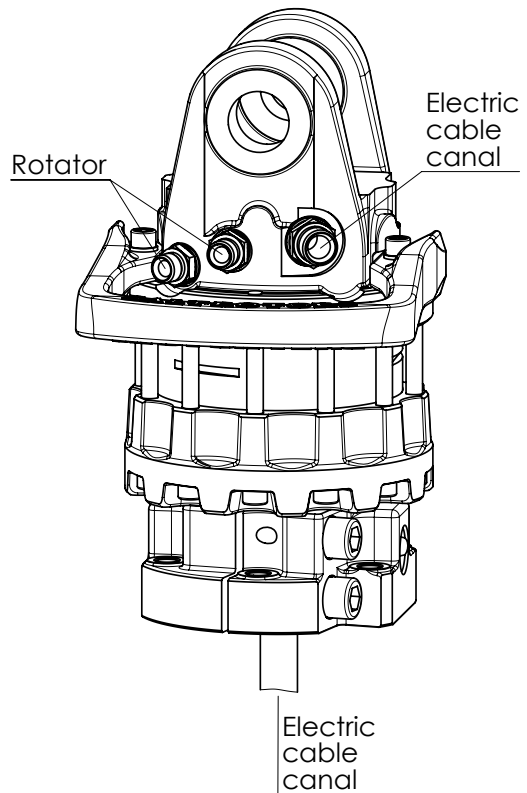
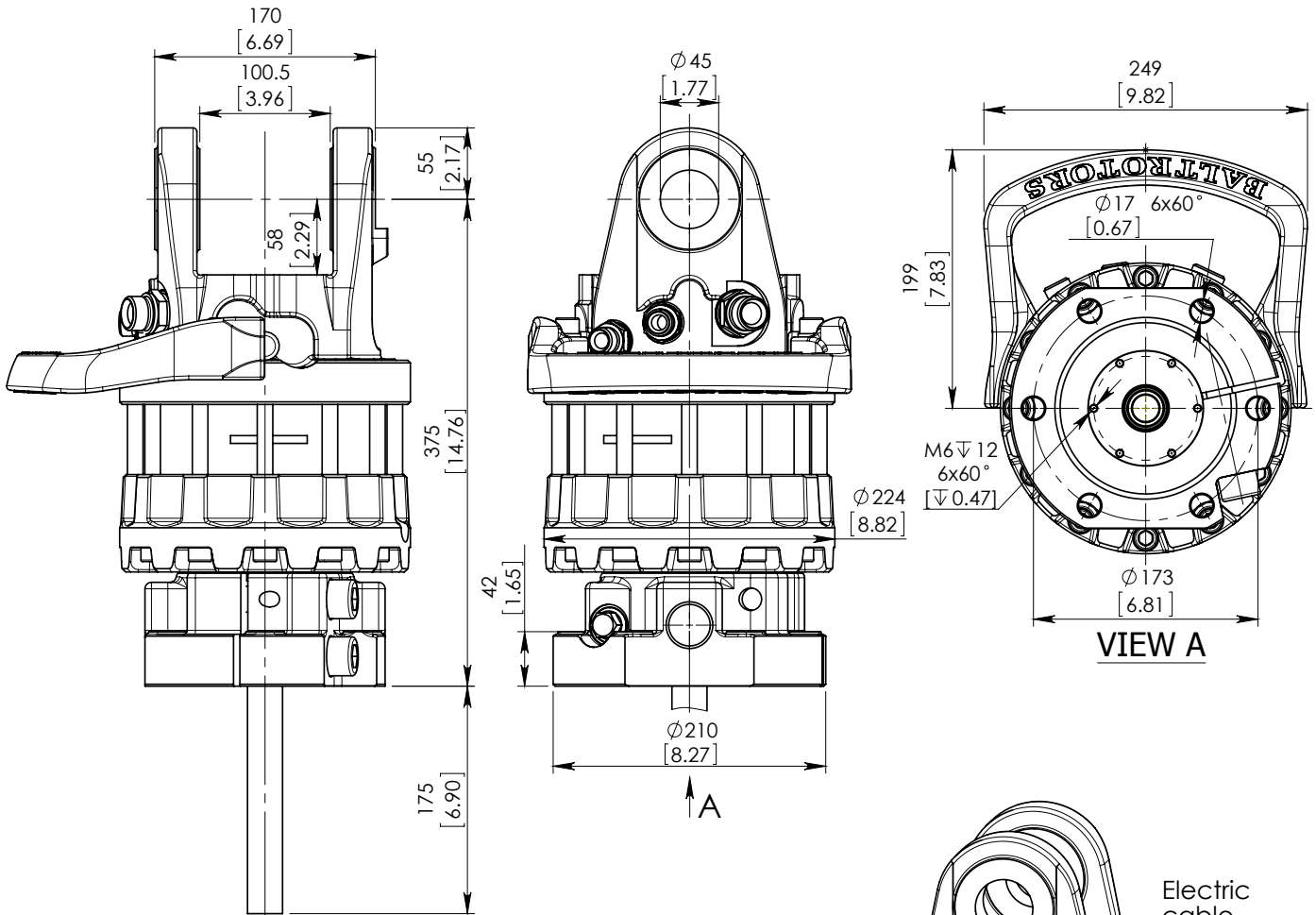


# ROTATOR GR16E



## Technical data

Rotation	Unlimited
Max axial load static, KN (lbf)	+160 (35976) - 90 (20236)
Max axial load dynamic, KN (lbf)	+80 (17988) - 45 (10118)
Torque at 25Mpa (3625psi), Nm (lb ft)	3400 (2500)
Rec oilflow, l/min (US gallon)	40 (10.6)
Weight, kg (lb)	70 (154)
<b>Max working pressure:</b>	<b>Connection:</b>
Rotator	←R→ Max 25 MPa (3625 psi) G 1/2
Electric cable canal	Canal size Ø 22 G 3/4