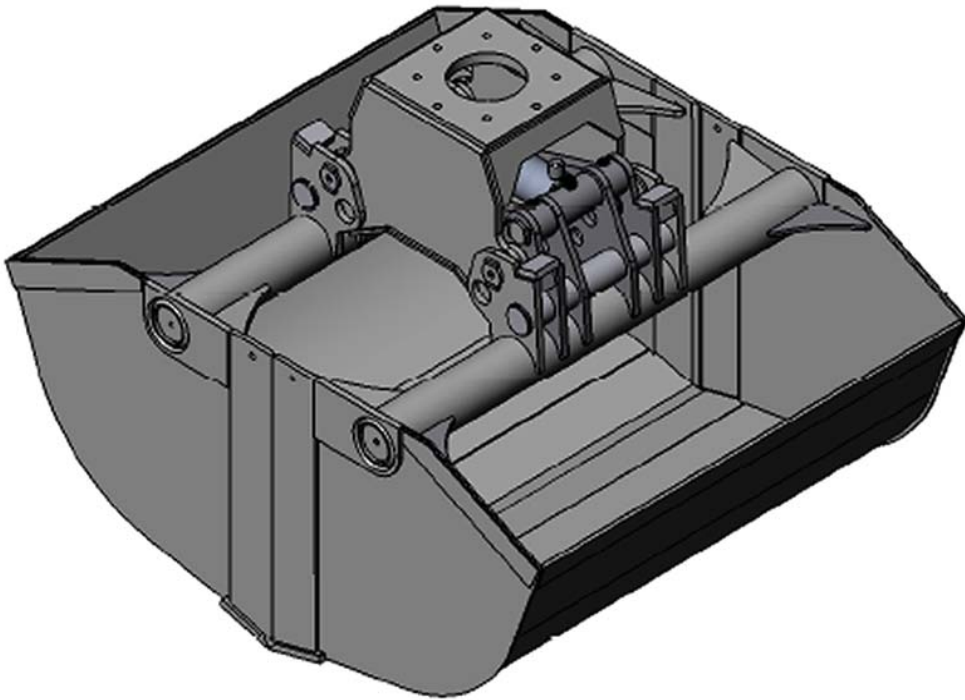
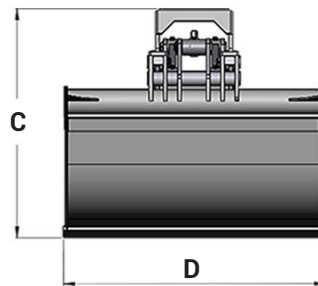
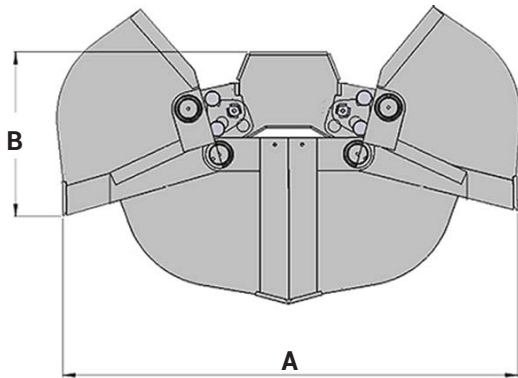


TIGERGRIP / TCB HD 1250



KEY FEATURES

- Heavy duty
- Double guide bars
- High tensile wear resistant steel (400 HB)
- Self lubricating bushings
- High tensile wear resistant steel cutting edges (500 HB)
- High pressure cylinder with double piston rod seals



A	1944
B	790
C	1094
D	1250

MODEL SPECIFICATIONS



TCB HD 1250	560	700	300	60	16	30	3	20	20			
-------------	-----	-----	-----	----	----	----	---	----	----	--	--	--

INTERMERCATO

High performance lift and load attachments for Forestry, Transport, Construction and Recycling.

