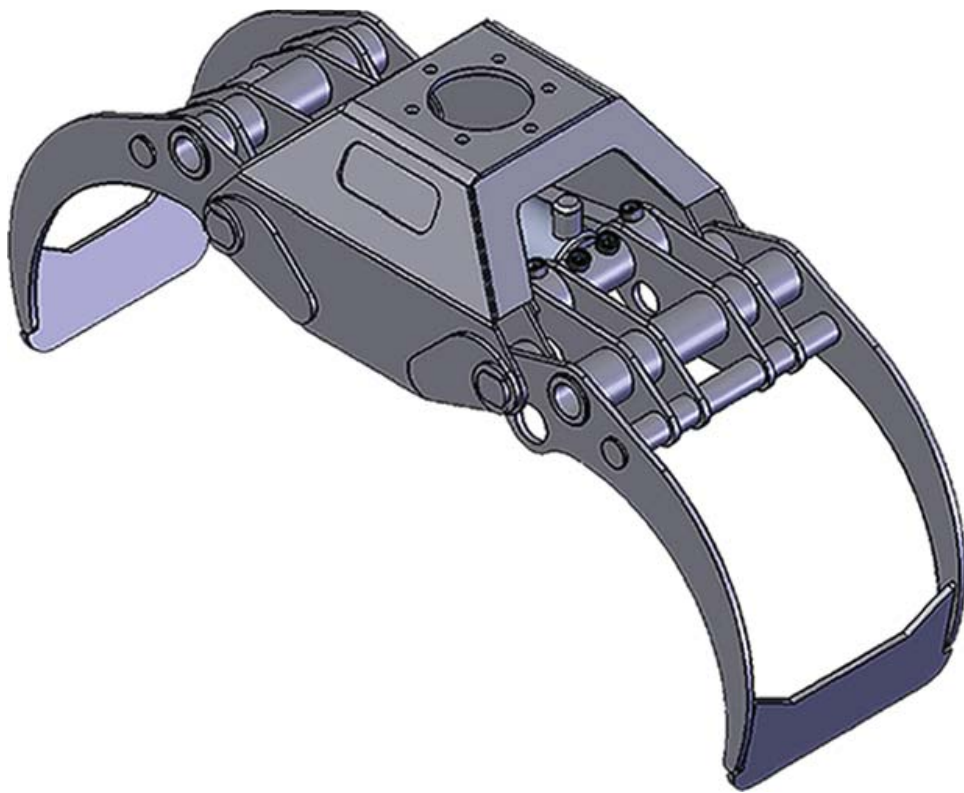
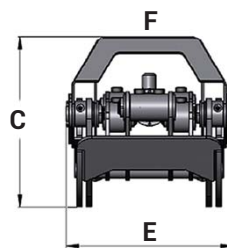
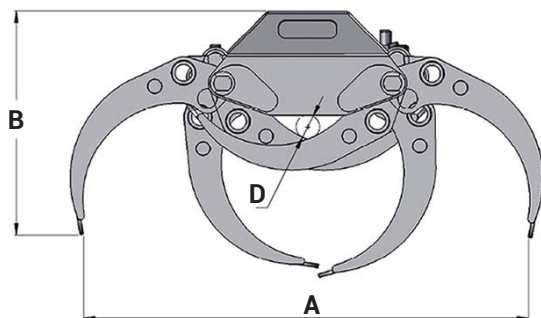


# TIGERGRIP | TG 22 PRO S



## KEY FEATURES

- Heavy duty
- Double guide bars
- Optimized roll in/roll out properties
- High pressure cylinder with double piston rod seals
- High tensile wear resistant steel (400 HB)
- Extra reinforced body for rigid mounting - excavator design



<b>A</b>	1200
<b>B</b>	623
<b>C</b>	446
<b>D</b>	65
<b>E</b>	432
<b>F</b>	173/6

## MODEL SPECIFICATIONS



TG 22 PRO S	135	0,20	250	50	14,5	6	3	8	4	10		
-------------	-----	------	-----	----	------	---	---	---	---	----	--	--

# INTERMERCATO

High performance lift and load attachments for Forestry, Transport, Construction and Recycling.

