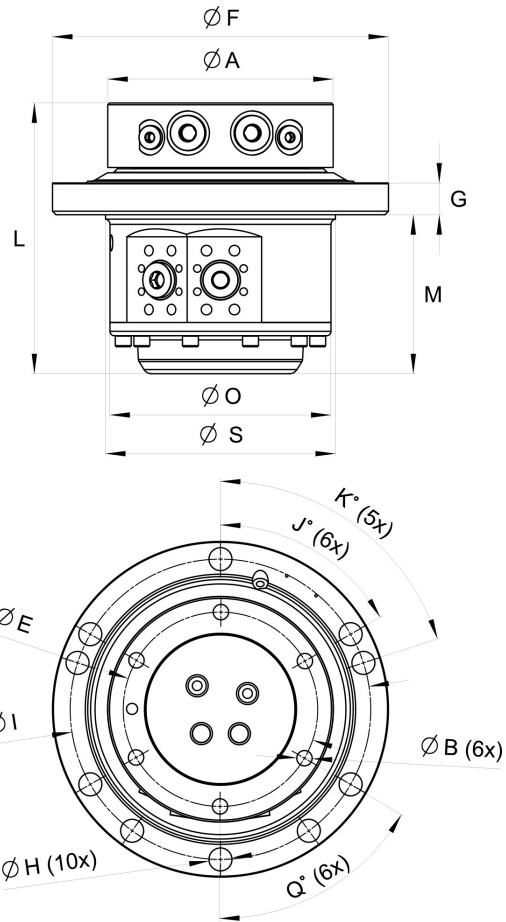
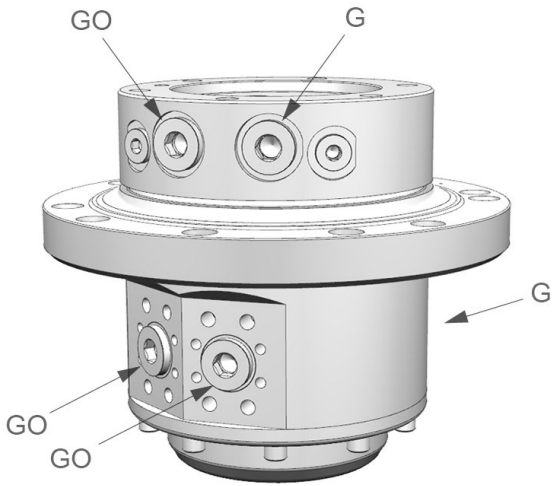








IR 20M M20

Part No.: 8000508



Upper		Lower			
G GO: G 1	R: G 1/2	G: SAE 3000 DN 25 / SAE 6000 DN 32 / G 1	G0: SAE 3000 DN 25 / SAE 6000 DN 32 / G 1	G0: SAE 3000 DN 25 / SAE 6000 DN 32 / G 1	G0: SAE 3000 DN 25 / SAE 6000 DN 32 / G 1

A: Ø255 mm	B: M20	E: Ø220 mm	F: Ø380 mm	G: 36 mm	H: Ø26 mm	I: Ø340 mm	J: 60°	K: 72°	L: 307 mm	M: 180 mm	O: Ø250 mm	Q: 60°	S: Ø260 mm
---------------	-----------	---------------	---------------	-------------	--------------	---------------	-----------	-----------	--------------	--------------	---------------	-----------	---------------

 109 kg	 360°	 Max ±450 kN	 Max ±150 kN	 Max 35 MPa	 Max 35 MPa
-----------------------------------------------------------------------------------------------	---------------------------------------------------------------------------------------------	-------------------------------------------------------------------------------------------------------	-------------------------------------------------------------------------------------------------------	--------------------------------------------------------------------------------------------------------	--------------------------------------------------------------------------------------------------------

Mechanical rotator without motor.

For further technical information relating to integration and hydraulic connections, please contact rotator@indexator.com