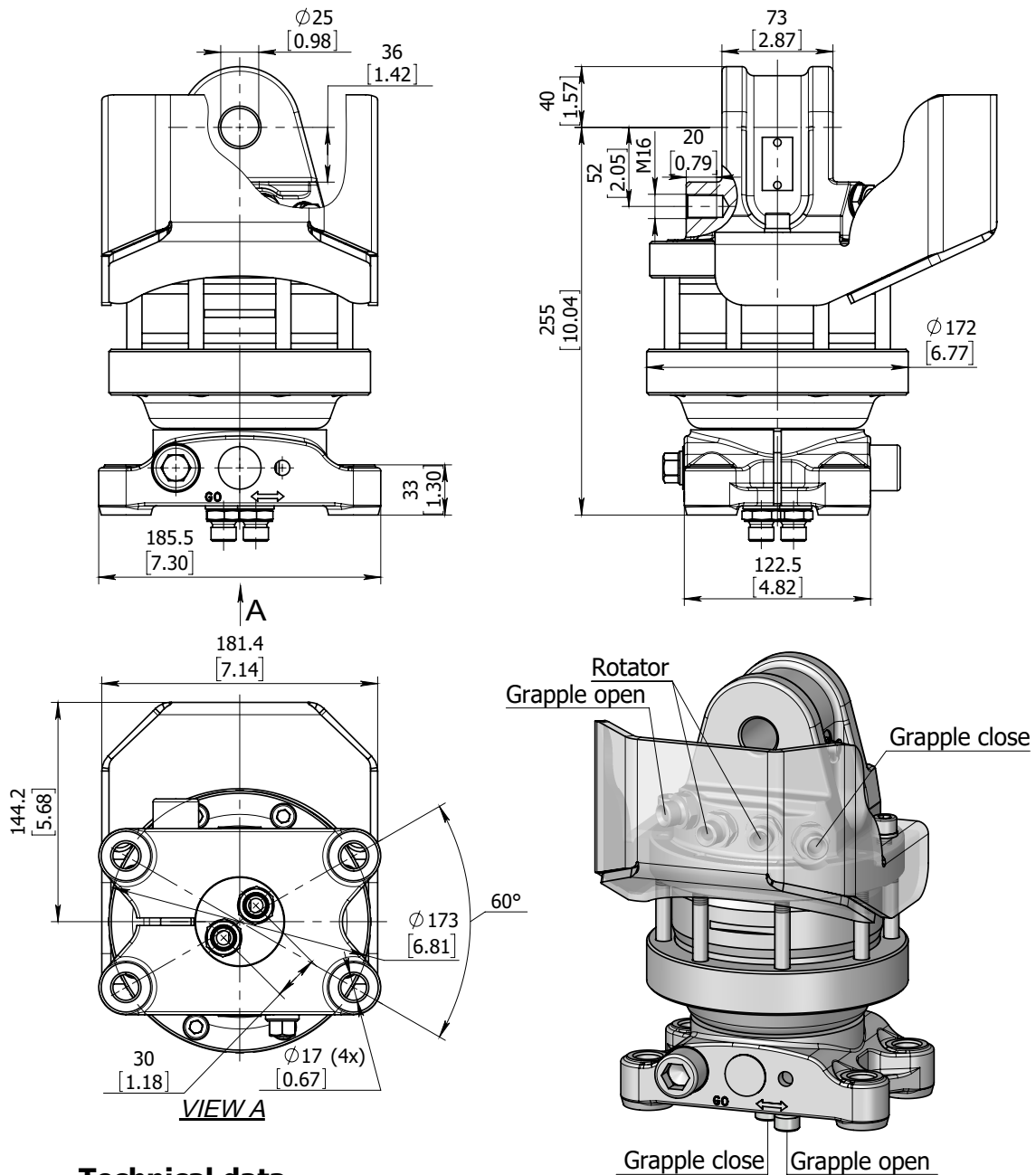


# ROTATOR GR463X



## Technical data

Rotation	Unlimited
Max axial load static, KN (lbf)	45 (10118)
Max axial load dynamic, KN (lbf)	25 (5621)
Torque at 25Mpa (3625psi), Nm (lb ft)	1100 (811)
Rec oilflow, l/min (US gallon)	20 (5.3)
Weight, kg (lb)	28 (62)

### Max working pressure:

Rotator	↔R↔	Max 25 MPa (3625 psi)
Grapple / Tool open	↔G↔	Max 20 MPa (2900 psi)
Grapple / Tool close	→G←	Max 30 MPa (4350 psi)

### Connection:

G 3/8
G 3/8
G 3/8



# ROTATOR GR463X

## List of parts

Pos.	Part	Title	Quantity	Notes
1	GR46.001	Stator plate, upper	1	
2	GR46.002	Stator plate, lower	1	
3	GR46.006-01	Rotator shaft	1	
4	GR46.007	Stator frame	1	
5	GR46.019	Link, lower	1	
6	GR46.301	Hose Guard	1	
7	MTR46.008	Vane	4	
8	MTR45.011	Shim	1	
9	MTR45.014-01	Wedge	1	
10	MTR45.015-01	Locking screw	1	
11	MT0210	Nipple	2	
12	G2133-00002	Bearing	1	
13	MTR100.009	Spring	8	
14	M2602-00000	Bonded seal	8	
15	G117-00000	Nipple	6	
16	M2601-00006	Plug	2	
17	M2305-00006	Screw	2	
18	M2301-00001	Spring washer	2	
19	M2305-00007	Screw	8	
20	M2305-00024	Screw	1	
21	M2306-00006	Washer	1	
22	M2302-00000	Cup spring	4	
23	M2307-00010	Pin	2	
24	M2610-00000	Grease nipple	1	
<b>Seal kit</b>				
25	G1021-00007	Glide ring	2	
26	G1024-00018	O-ring	2	
27	G1024-00022	O-ring	1	
28	G1022-00010	Seal	1	

Sheet 3 of 3

29.10.2018