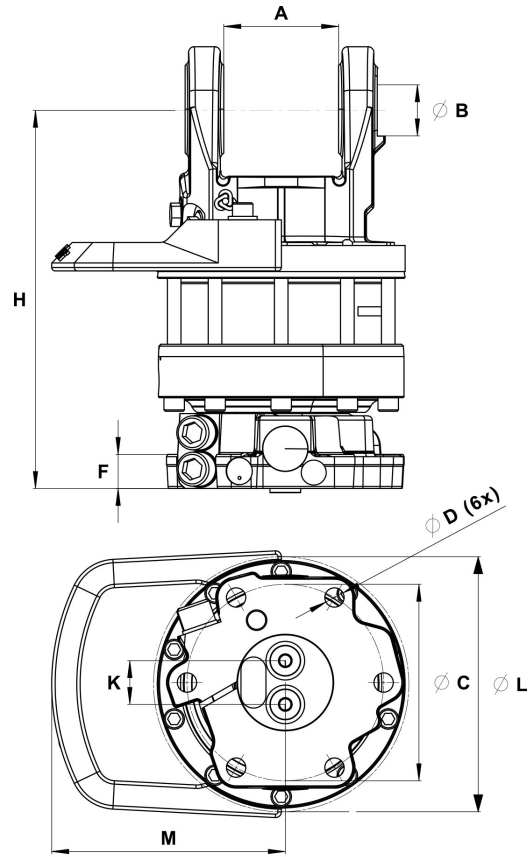
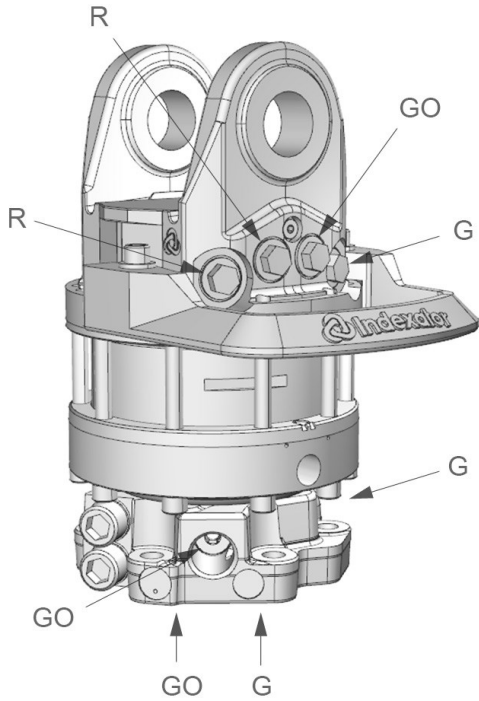










GV 12S M16

Part No.: 5212293



Upper connection	Lower connection
G 1/2	G 1/2

A: 101 mm	B: Ø45 mm	C: Ø173 mm	D: M16	F: 30 mm	H: 333 mm	K: Ø38,5 mm	L: 229 mm
--------------	--------------	---------------	-----------	-------------	--------------	----------------	--------------

 57.7 kg	 360°	 Max 100 kN	 Max 50 kN	 2200 Nm	 Max 25 l/min	 Max 25 MPa	 Max 25 MPa	 Max 25 MPa
--	---	--	---	--	---	--	--	--

Adapter sets are available for alternative connections.

For further technical information relating to integration and hydraulic connections, please contact rotator@indexator.com