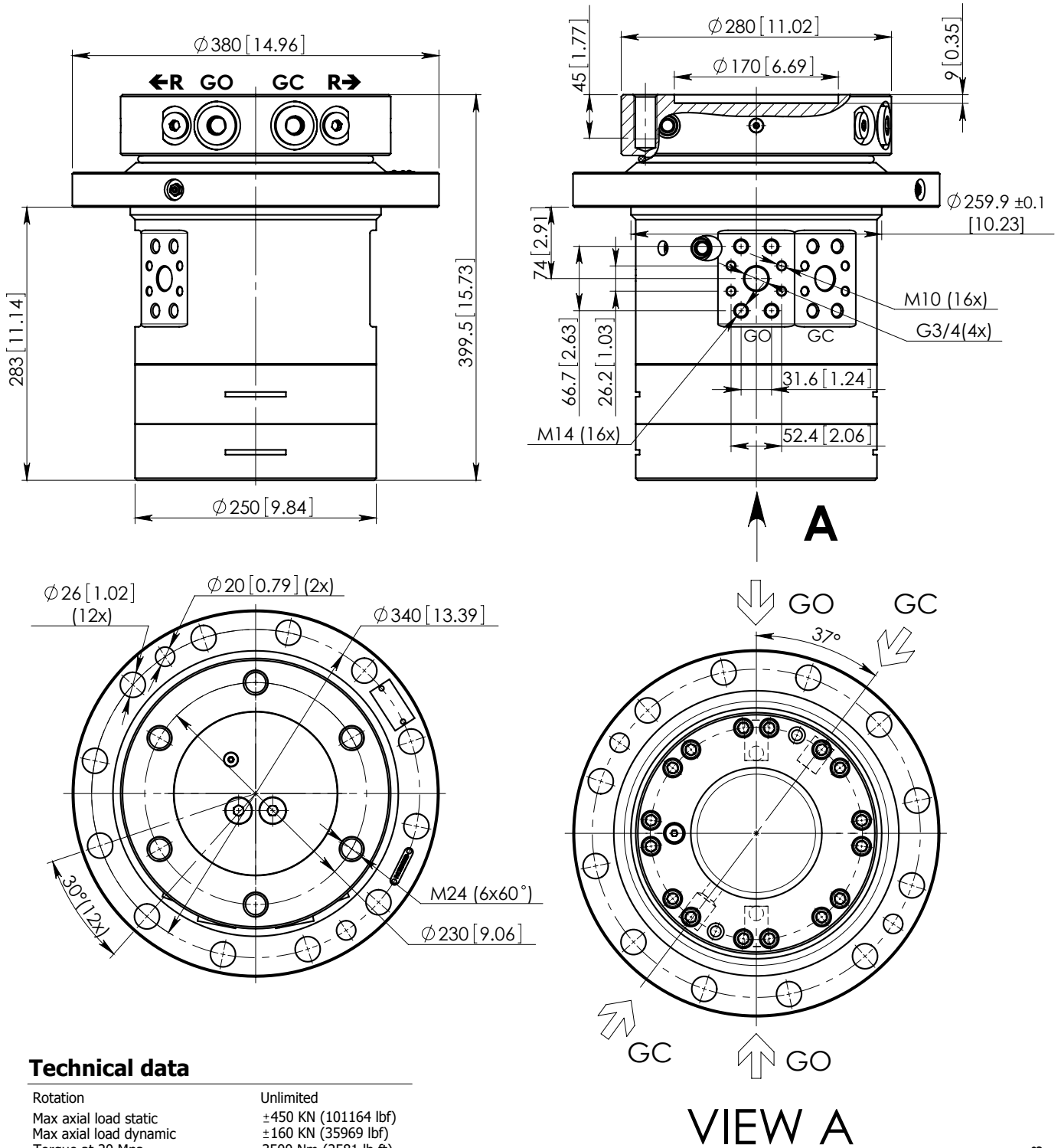


INDUSTRIAL ROTATOR GIR25-02



Technical data

Rotation	Unlimited
Max axial load static	±450 KN (101164 lbf)
Max axial load dynamic	±160 KN (35969 lbf)
Torque at 20 Mpa	3500 Nm (2581 lb ft)
Rated displacement	1304 cm ³ /rev
Rotation speed	max 25 rpm
Oil duct area for grapple	260 mm ² (0.403 in ²)
Weight	143 kg (315 lb)

Function	Max working pressure	Rec oilflow	Connections	Operating machine e.g. excavator max weight
R - rotation	20 MPa (2901 psi)*	35l/min	G 1/2	Connected via link 18 t
GO - grapple/tool open	32 MPa (4641 psi)*		G 3/4, SAE 1 1/4, SAE 1	
GC - grapple/tool close	32 MPa (4641 psi)*		G 3/4, SAE 1 1/4, SAE 1	

* Relief valve fitted

Sheet 1 of 3

13.04.2018