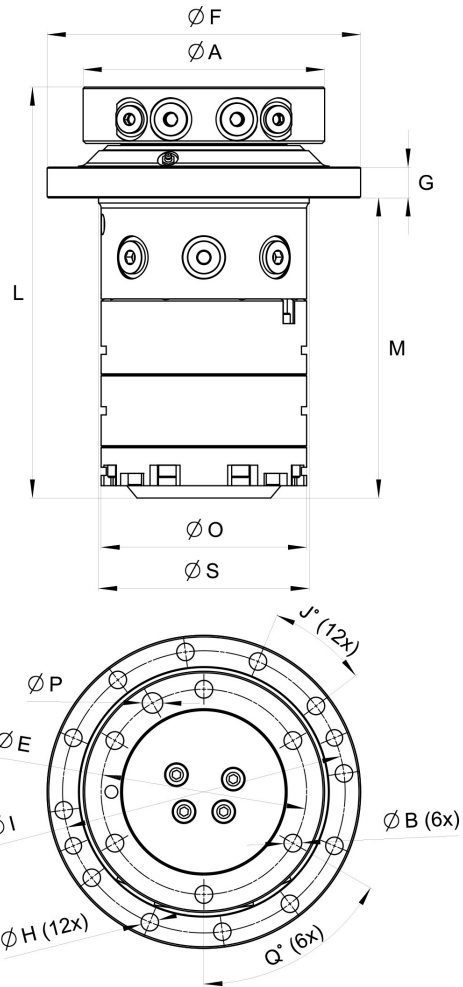
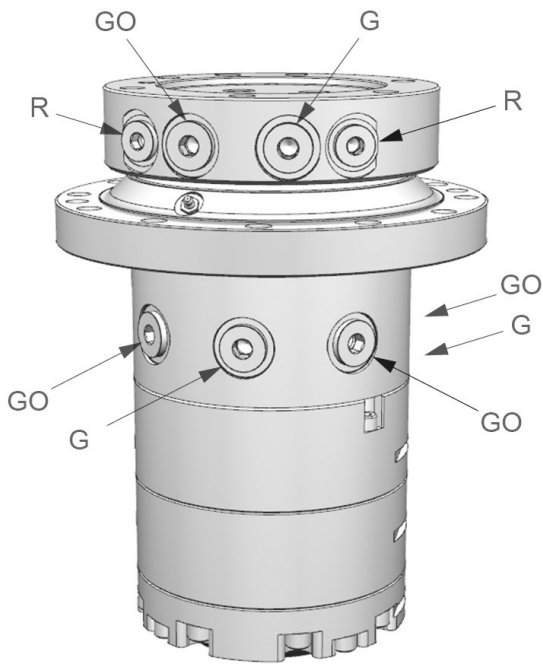


IR 12

Part No.: 8000614



Upper		Lower				
G GO: 1 1/16"-12 UNF	R: 7/8"-14 UNF	G: 1 1/16"-12 UNF	G: 1 1/16"-12 UNF	GO: 1 1/16"-12 UNF	GO: 1 1/16"-12 UNF	GO: 1 1/16"-12 UNF

A: Ø235 mm	B: M20	E: Ø200 mm	F: Ø305 mm	G: 30 mm	H: Ø17 mm	I: Ø275 mm	J: 30°	L: 401 mm	M: 293 mm	O: Ø200 mm	P: Ø20 mm	Q: 60°	S: Ø205 mm
---------------	-----------	---------------	---------------	-------------	--------------	---------------	-----------	--------------	--------------	---------------	--------------	-----------	---------------

93.3 kg	360°	±250 kN	±70 kN	2900 Nm	25 l/min	21 MPa	35 MPa	35 MPa	35 MPa

Pressure limiting valves fitted in the motor.

For further technical information relating to integration and hydraulic connections, please contact rotator@indexator.com